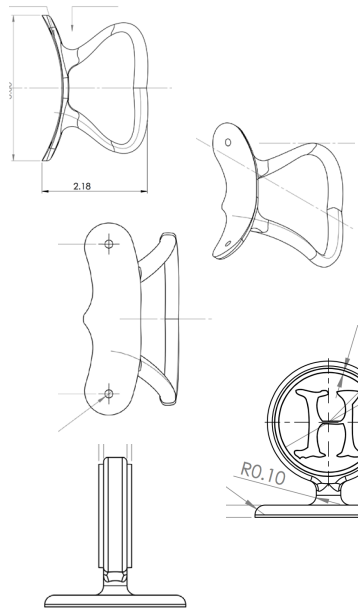


How to Make a Copper Pot!



CAST IRON

handles & lid handle, are modeled. timeline: _____
 configure final measurements for rivets timeline: _____
 tooling made for cast iron pieces timeline: _____
 cast iron pieces are forged timeline: _____
 cast iron pieces are shipped to: timeline: _____

COPPER/SHEETS

mined timeline: _____
 hammered timeline: _____
 shipped to: timeline: _____

COPPER BODY

copper body spun on CNC machine,
 copper lids spun on CNC machine,
 tinned, bodies drilled for rivets
 cast iron handles attached,
 copper is finished to spec
 shipped to me:

RIVETS

PRairie Rivet

Bill

f: 920.398.2316

f: 920.398.3645

901 N. Margaret St.

Markesan WI 53946

sales@prairierivet.com

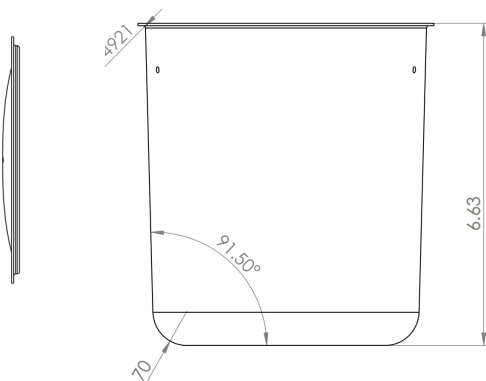
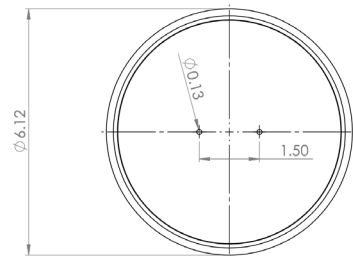
rivets tested timeline: _____
 rivets made timeline: _____
 rivets shipped to: timeline: _____

Bodies are tinned

timeline: _____
 timeline: _____
 timeline: _____
 timeline: _____
 timeline: _____

TOOLING COMPANY

lathe mandrel tool made timeline: _____
 lid tool made timeline: _____
 tooling shipped to: timeline: _____



FINISHED PRODUCT

